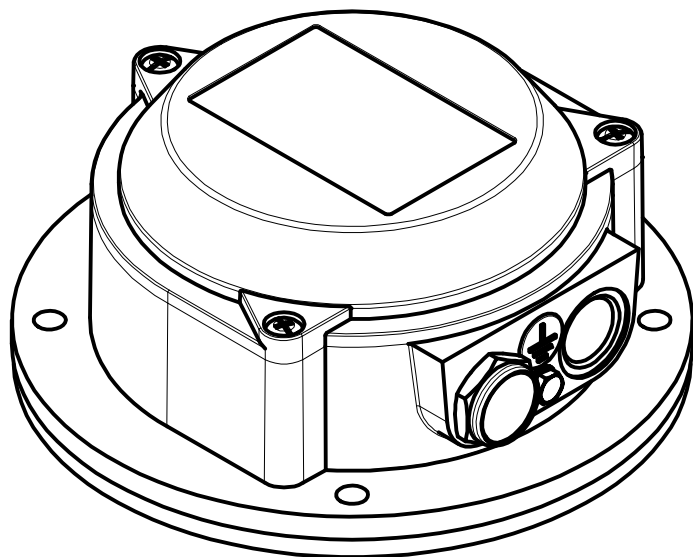


Terminals : male FASTON (.250 series / 6,3x0,8 mm)

MN03



Model	MN03
Weight	1,3 [kg]
Power supply	not powered
Signal	SPDT / max. 10[A]-250VAC
IP grade	IP65
Housing	Aluminium (powder coated)
Connection	Flange - Aluminium
Membrane	Para rubber
Ambient temperature	-10 < Ta < +60 [°C]
Process temperature	-10 < Tp < +60 [°C]
Sensitivity	120 ... 670 [gr]
Directives	2011/65/EU (RoHS) 2014/30/EU (EMC) 2014/34/EU (ATEX) 2014/35/EU (LVD)
Ex Marking	Ex II 3D Ex tc IIIB T85°C Dc

© CAMLogic  
Via dell'Industria 12  
42025 Cavriago (RE) - ITALY  
www.camlogic.it

**CAMLOGIC**

DRAWING N. 0602\_0015\_00

SHEET: 1 OF 2

REV: 0

GENERAL TOL.: ISO 2768-mH

UNLESS OTHERWISE SPECIFIED DRAWING FROM CAD SYSTEM - REFER TO 3D MODEL FOR MISSING DIMENSION - NO MANUAL MODIFICATION ALLOWED

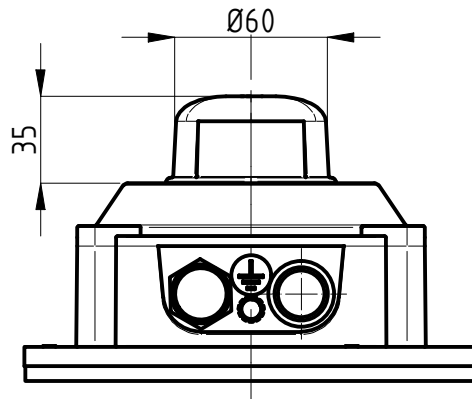
SCALE: 1:2

DRAWN NR DATE 28.10.2021

SIZE UNI A3

**SIGNAL LAMP**

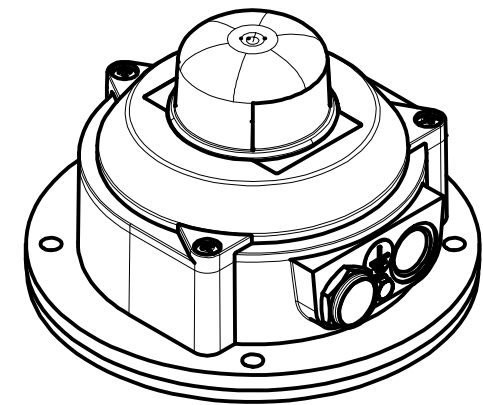
Adds a LED lamp on top. The lamp could be connected to NC contact (MIN level - empty), or NO contact (MAX level - full).



Must define a single power supply voltage:

- 24[V] - L24
- 48[V] - L48
- 115[V] - L11
- 230[V] - L22

MN03/L



**HIGH TEMPERATURE MEMBRANE (FKM)**

Membrane in FKM rubber.  
Increase maximum process temperature up to  
Tp = 80°C

® CAMLogic Via dell'Industria 12 42025 Cavriago (RE) - ITALY www.camlogic.it		DRAWING N.	SHEET:
		0602__0015__00	2 OF 2
GENERAL TOL.: ISO 2768-mH		SCALE: 1:3	REV: 0
UNLESS OTHERWISE SPECIFIED DIMENSION ARE IN (mm)		DRAWING FROM CAD SYSTEM - REFER TO 3D MODEL FOR MISSING DIMENSION - NO MANUAL MODIFICATION ALLOWED	DRAWN NR DATE 19.10.2021

SIZE UNI A4